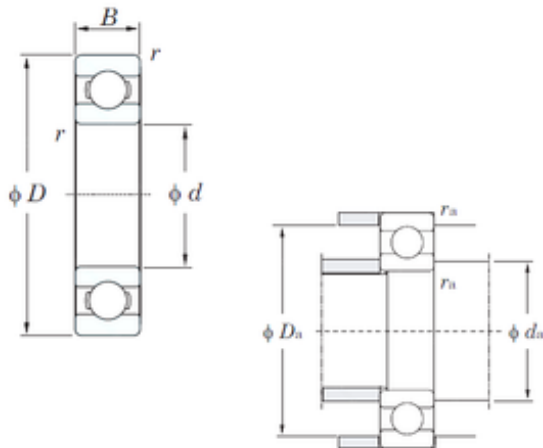




NTK BEARING PRECISION AXLE CORP.



SKF/NSK/Koyo/NTN/Timken Deep Groove Ball Bearing/Pillow Block Bearing UCP Ucf/Angular Contact Ball Bearing 6301 6303 for Motorcycle Spare Parts/Engine Parts

Bearing No. 6301

6301 Bearing 2D drawings and 3D CAD models

Size	12x37x12 mm
Bore Diameter	12 mm
Outer Diameter	37 mm
Width	12 mm
d	12 mm
D	37 mm
B	12 mm
C	12 mm
r min.	1 mm
da min.	17 mm
Da max.	32 mm
ra max.	1 mm
Weight	0,06 Kg
Basic dynamic load rating (C)	9,7 kN
Basic static load rating (C0)	4,2 kN
(Grease) Lubrication Speed	20000 r/min
(Oil) Lubrication Speed	25000 r/min
Category	Single Row Ball Bearings
Inventory	0.0
Manufacturer Name	KOYO
Minimum Buy Quantity	N/A
Weight / Kilogram	0.067
EAN	0060579007145



NTK BEARING PRECISION AXLE CORP.

Product Group	B00308
Enclosure	Open
Precision Class	ABEC 1 ISO P0
Maximum Capacity / Filling Slot	No
Rolling Element	Ball Bearing
Snap Ring	No
Internal Special Features	No
Cage Material	Steel
Internal Clearance	C0-Medium
Inch - Metric	Metric
Long Description	12MM Bore; 37MM Outside Diameter; 12MM Outer Race Width; Open; Ball Bearing; ABEC 1 ISO P0; No Filling Slot; No Snap Ring; No Internal Special Features; C0-Medium Internal Clearance; Steel Cage
Other Features	Deep Groove
Category	Single Row Ball Bearing
UNSPSC	31171504
Harmonized Tariff Code	8482.10.50.68
Noun	Bearing
Keyword String	Ball
Manufacturer URL	http://www.koyousa.com
Weight / LBS	0.13228
Outside Diameter	1.457 Inch 37 Millimeter
Outer Race Width	0.472 Inch 12 Millimeter
Inner Race Width	0 Inch 0 Millimeter
Bore	0.472 Inch 12 Millimeter
Bearing No.	6301
r(min)	1
Cr	12.1



NTK BEARING PRECISION AXLE CORP.

C0r	4.20
Cu	0.420
f0	11.1
Grease lub.	20000
Oil lub.	25000
da(min)	17
Da(max)	32
ra(max)	1
(Refer.) Mass(kg)	0.060